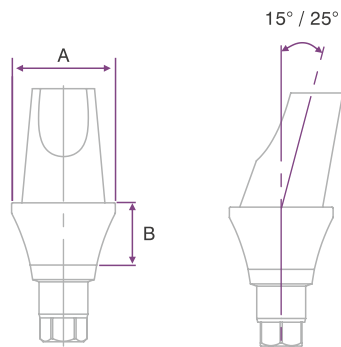


T6 PROSTHESIS

Cement-retained Solutions



Angled Abutments



Designed to be used for correcting angled implant insertions. They have 15° and 25° angles and various gingival heights.

They are made of Gr5 Titanium.

The package contains an angled abutment and two separate abutment screws. One to be used in the lab (yellow) and the other for fixing it in the mouth.



A	4.3	4.3	4.3	4.3
B	1.0	2.0	3.0	4.0
Code	T6 NR120	T6 NR121	T6 NR122	T6 NR123



A	5.0	5.0	5.0	5.0	5.0	5.0
B	1.0	2.0	3.0	4.0	1.0	2.0
Code	T6 SD128	T6 SD129	T6 SD130	T6 SD131	T6 SD132	T6 SD133



A	5.0	5.0	6.0	6.0	6.0	6.0
B	3.0	4.0	1.5	3.0	5.0	1.5
Code	T6 SD134	T6 SD135	T6 WD136	T6 WD137	T6 WD138	T6 WD140



A	6.0	6.0
B	3.0	5.0
Code	T6 WD141	T6 WD142



Abutment Screw	Laboratory Screw
T6 16000	T6 16007

