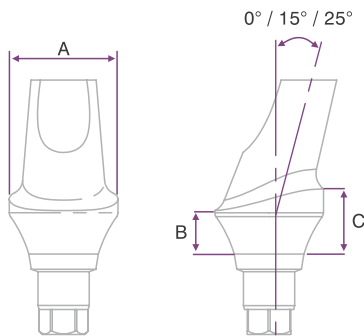


T6 PROSTHESIS

Cement-retained Solutions



Esthetic Abutments

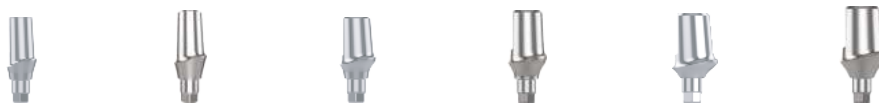


Aesthetic angled abutments provide an aesthetic appearance in different soft tissue thickness areas thanks to its variable gum form. It offers solutions for cement-retained straight and angled prosthetic solutions in different prosthetic platform diameters.

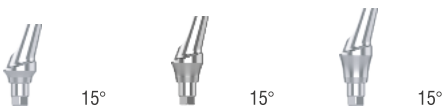
They have 15° and 25° angles and various gingival heights.

They are made of Gr5 Titanium.

The package contains an angled abutment and two separate abutment screws. One to be used in the lab (yellow) and the other for fixing it in the mouth.



A	4.3	4.3	5.0	5.0	6.0	6.0
B/C	1.0/2.0	2.0/3.0	1.0/2.0	2.0/3.0	1.5/2.5	2.5/3.5
Code	T6 NR005	T6 NR006	T6 SD007	T6 SD008	T6 WD009	T6 WD010



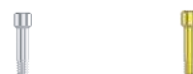
A	4.3	4.3	4.3
B/C	1.0/2.0	2.0/3.0	3.0/4.0
Code	T6 NR101	T6 NR102	T6 NR103



A	5.0	5.0	5.0	5.0	5.0	5.0
B/C	1.0/2.0	2.0/3.0	3.0/4.0	1.0/2.0	2.0/3.0	3.0/4.0
Code	T6 SD109	T6 SD110	T6 SD111	T6 SD112	T6 SD113	T6 SD114



A	6.0	6.0
B/C	2.0/3.0	2.0/3.0
Code	T6 WD117	T6 WD118



Abutment Screw	Laboratory Screw
T6 16000	T6 16007

