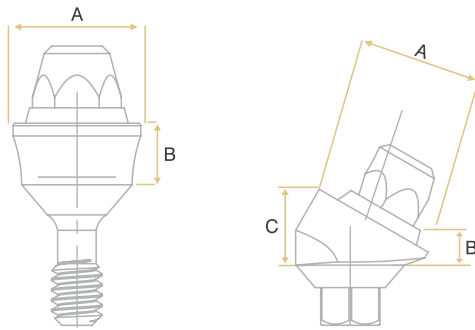


# Tpure PROSTHESIS

## Screw-retained Solutions



### Multi Unit Abutment | Hex



Screw-retained abutments offer accurate and permanent solutions for different prosthetic platform diameters and gingiva heights in the cases of screw-retained restorations.

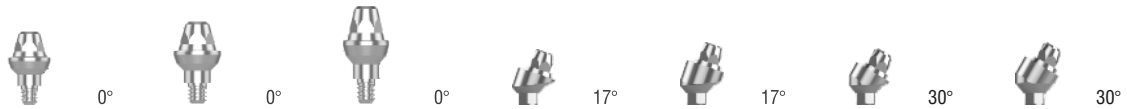
Hexagonal creation between angled abutments and crowns, prevents the superstructure from rotating.

0°, 17° ve 30° angled options are present.

Abutments are produced of titanium Gr5 material.

**Straight** Multi unit abutments are offered with a **black** burn out cap and two occlusal screws.

**Angled** Multi Unit abutments are offered with a **black** burn out cap, a multi unit connection screw and two occlusal screws.



A	5.0	5.0	5.0	5.0	5.0	5.0	5.0
B/C	1.5	3.0	5.0	1.5/3.1	2.4/4.0	1.25/4.0	2.0/4.75
Code	T45048	T45049	T45050	T45545-17	T45546-17	T45547-30	T45548-30

Instruments (Hex)

Comfort Cap T0 32906	Scan Post T0 32036	Ti-Base Abutment T0 32812	Titanium Cap T0 32914	Burn out Cap T0 32902

Impression Post (Open) T0 32610	Multi Unit Analog T0 32203	Implant Connection Screw T42004	Abutment Occlusal Screw T0 16003	(Open) Impression Screw T0 16004

Impression Post (Closed) T0 32609	Impression Cap T0 32912

